

BWPK Series

Picking sensor

■ Features

- Plastic injection case
- Slim body(W30×H140×T10mm)
- Long/Short sensing distance mode
(sensing distance selection function)
- Mutual interference prevention(frequency switching function)
- Selectable Light ON/Dark ON operation mode by switch
- Picking indicator includes
- Protection structure IP40(IEC standard)



! Please read "Caution for your safety" in operation manual before using.



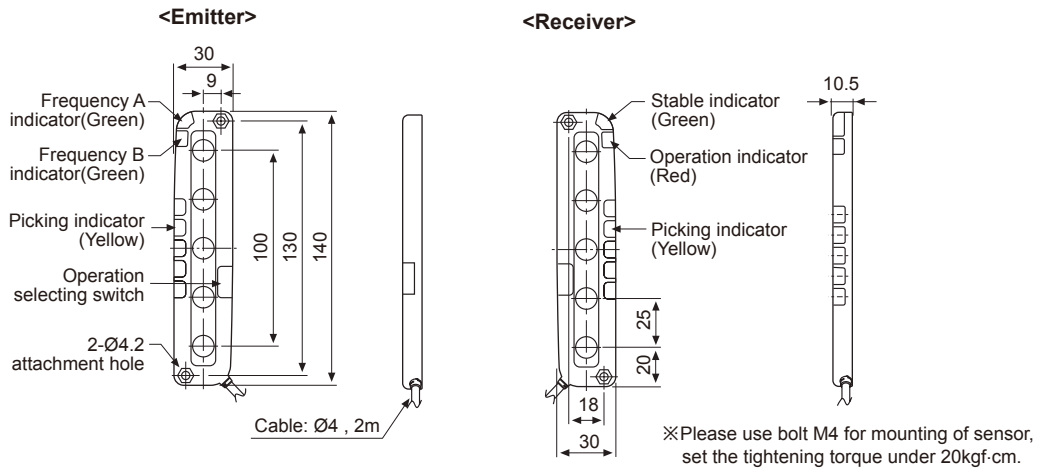
■ Specifications

Model	NPN open collector output	BWPK25-05
	PNP open collector output	BWPK25-05P
Sensing type		Through-beam
Sensing distance	Long distance mode	0.1 to 3m
	Short distance mode	0.05 to 1m
Sensing target		Opaque materials of Min.Ø35mm
Optical axis pitch		25mm
Number of optical axis		5EA
Sensing width		100mm
Power supply		12-24VDC ±10%(Ripple P-P : Max. 10%)
Current consumption		Emitter : Max. 60mA, Receiver : Max. 60mA
Control output		NPN or PNP open collector output • Load voltage : Max. 30VDC • Load current : Max. 150mA • Residual voltage - NPN : Max. 1V, PNP : Min.2.5V
Operation mode		Selectable Light ON/Dark ON by switch
Response time		Max. 30ms
Light source		Infrared LED(850nm modulated)
Interference protection		Interference protection by transmission frequency selection
Protection circuit		Reverse power polarity, Output short-circuit(Overcurrent) protection
External picking input		Non-contact or contact input • NPN open collector output : Lighting(0-2V), Light out(5-30V or open) • PNP open collector output : Lighting(4-30V), Light out(0-3V or open)
Environment	Ambient illumination	Sunlight : Max. 10,000lx , Incandescent lamp : Max. 3,000lx (received light side illumination)
	Ambient temperature	-10 to 55°C, storage : -20 to 60°C
	Ambient humidity	35 to 85%RH, storage : 35 to 85%RH
Insulation resistance		Min. 20MΩ(at 500VDC megger)
Noise resistance		±240V the square wave noise (pulse width: 1μs) by the noise simulation
Dielectric strength		1,000VAC 50/60Hz for 1minute
Vibration		1.5mm amplitude or 300m/s ² at frequency of 10 to 55Hz(for 1 min.) in each of X, Y, Z directions for 2 hour
Shock		500m/s ² (approx. 50G) in each of X, Y, Z directions for 3 times
Protection		IP40(IEC standard)
Material		Case : PC/ABS, Sensing part: PMMA
Cable		Ø4.0mm, 4-wire, Length : 2m(Emitter : Ø4.0mm, 3-wire, Length : 2m) (AWG 22, Core diameter : 0.08mm, Number of cores : 60, Insulator out diameter : Ø1.25)
Approval		CE
Unit weight		Approx. 250g

※The temperature or humidity mentioned in Environment indicates a non freezing or condensation environment.

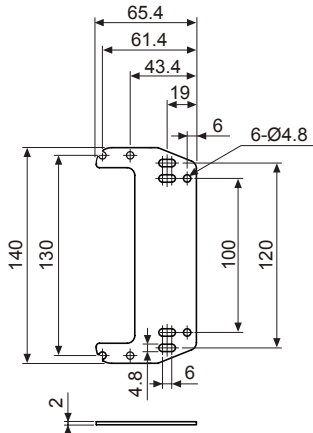
■ Dimensions

(unit: mm)

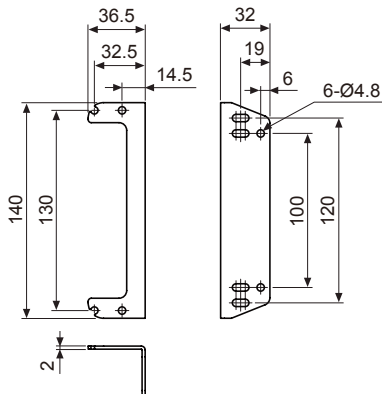


◎ Mounting of bracket

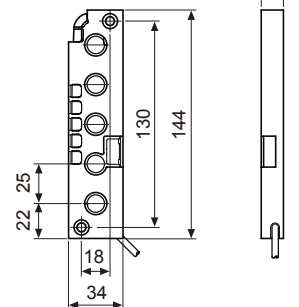
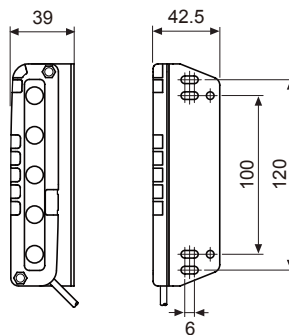
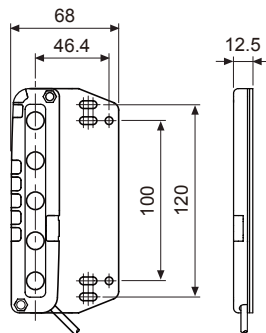
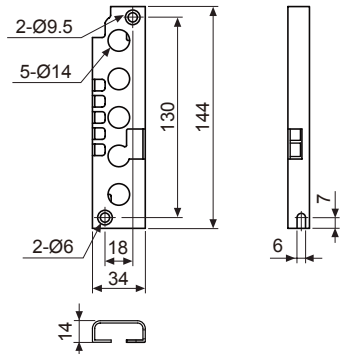
- Flat bracket(BK-BWPK-ST)
Sold separately



- L-Shaped bracket(BK-BWPK-L)
Sold separately



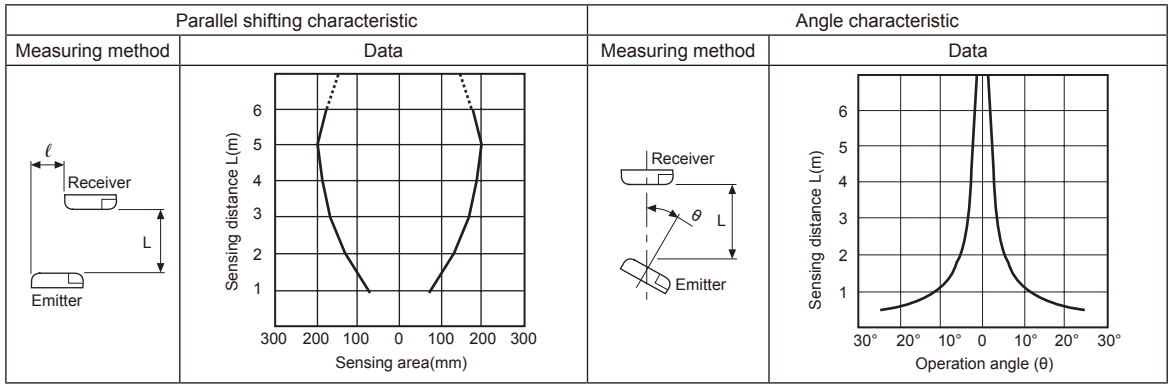
- Protection bracket(BK-BWPK-P)
Sold separately



(A)	Photo electric sensor
(B)	Fiber optic sensor
(C)	Door/Area sensor
(D)	Proximity sensor
(E)	Pressure sensor
(F)	Rotary encoder
(G)	Connector/Socket
(H)	Temp. controller
(I)	SSR/ Power controller
(J)	Counter
(K)	Timer
(L)	Panel meter
(M)	Tacho/ Speed/ Pulse meter
(N)	Display unit
(O)	Sensor controller
(P)	Switching mode power supply
(Q)	Stepper motor& Driver&Controller
(R)	Graphic/ Logic panel
(S)	Field network device
(T)	Software
(U)	Other

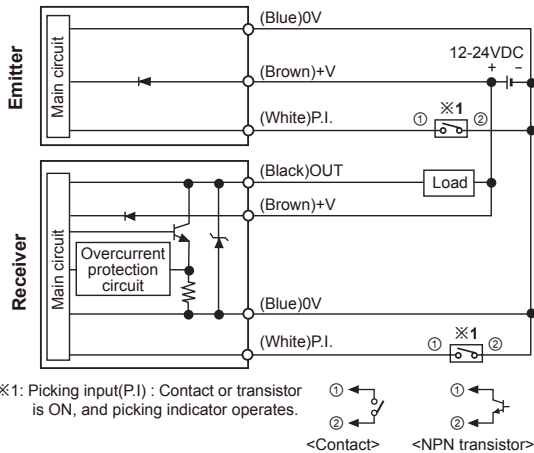
BWPK Series

Feature data

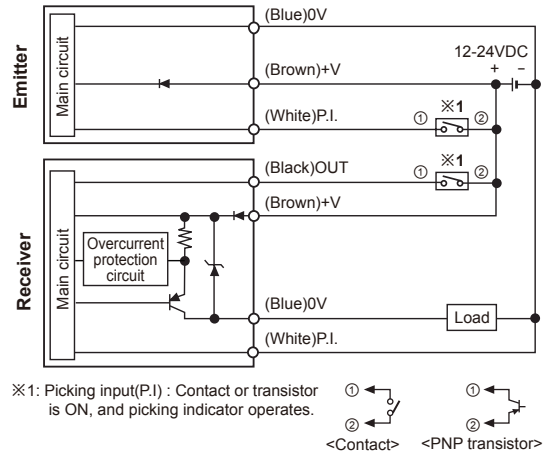


Input/Output circuit and connection diagram

NPN open collector output

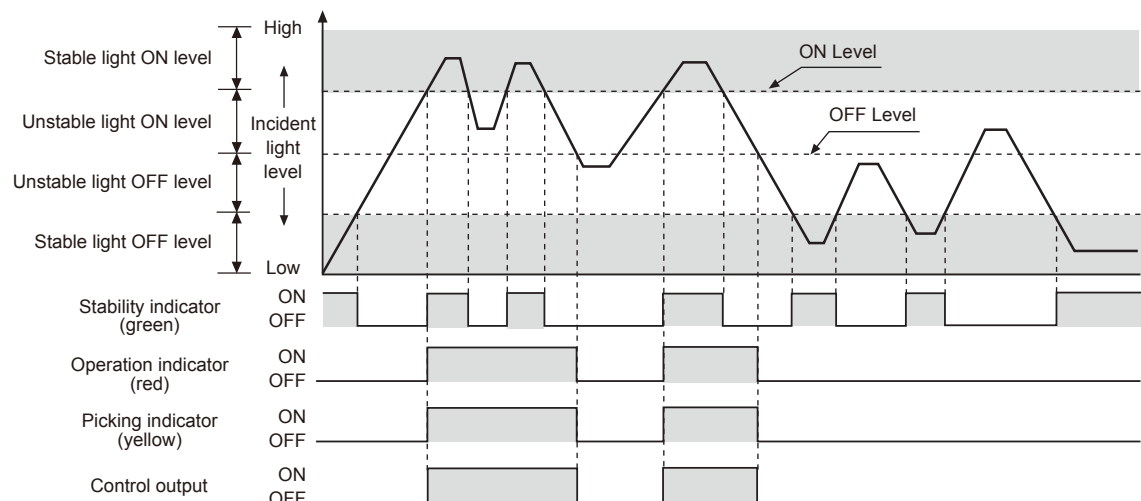


PNP open collector output



※Picking indicator: When external picking input(P.I) is short-circuited with OUT(Black), it is operated same as ON/OFF status of control output.

Operation timing diagram



※The above diagram is the state of operation for Light ON, but in case of Dark ON, it is opposite operation against Light ON.

※Picking indicator is operated by connecting picking input line and output line. (If not connecting these, picking indicator is OFF regardless of operation mode.)

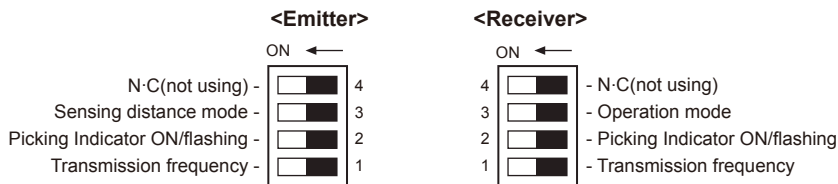
■ Operation indicator

Item	Emitter			Receiver			Control output
	Indicator			Indicator			
	Green	Green	Picking indicator(yellow)	Green	Red	Picking indicator(yellow)	
Power on	☀	●	—	—	—	—	—
FREQ. A operation	☀	●	—	—	—	—	—
FREQ. B operation	☀	☀	—	—	—	—	—
Stable light ON	—	—	☀	☀	☀	☀	ON
Flashing function ON	—	—	◐	☀	☀	◐	ON
Unstable light ON	—	—	☀	●	☀	☀	ON
Unstable light OFF	—	—	●	●	●	●	OFF
Stable light OFF	—	—	●	☀	●	●	OFF
Overcurrent	—	—	●	◐◐	—	●	OFF

☀	Light ON
●	Light OFF
◐	Flashing by 0.3 sec.
◐ ◐	Flashing simultaneously by 0.3 sec.

※The operations of 'Operation indicator' and 'Picking indicator(Red)' for stable light ON level, unstable light ON level, unstable light OFF level, and stable light OFF level are for Light ON. (In case of overcurrent, control output is OFF regardless of operation mode.)

■ Operation mode switch



●Transmission frequency (interference prevention)

Switch	Function
ON OFF <input type="checkbox"/> 1	Frequency A
ON OFF <input checked="" type="checkbox"/> 1	Frequency B

●Picking Indicator ON/flashing

Switch	Function
ON OFF <input type="checkbox"/> 2	Picking Indicator ON operation
ON OFF <input checked="" type="checkbox"/> 2	Picking Indicator flashing operation

※Emitter and receiver should be set the same selection of transmission frequency and picking indicator ON/flashing. If not, it does not operate properly.

●Sensing distance mode(emitter)

Switch	Function
ON OFF <input type="checkbox"/> 3	Sensing distance Long mode : 0.1 to 3m
ON OFF <input checked="" type="checkbox"/> 3	Sensing distance Short mode : 0.05 to 1m

●Operation mode(receiver)

Switch	Function
ON OFF <input type="checkbox"/> 3	Light ON
ON OFF <input checked="" type="checkbox"/> 3	Dark ON

(A) Photo electric sensor

(B) Fiber optic sensor

(C) Door/Area sensor

(D) Proximity sensor

(E) Pressure sensor

(F) Rotary encoder

(G) Connector/Socket

(H) Temp. controller

(I) SSR/ Power controller

(J) Counter

(K) Timer

(L) Panel meter

(M) Tacho/ Speed/ Pulse meter

(N) Display unit

(O) Sensor controller

(P) Switching mode power supply

(Q) Stepper motor& Driver&Controller

(R) Graphic/ Logic panel

(S) Field network device

(T) Software

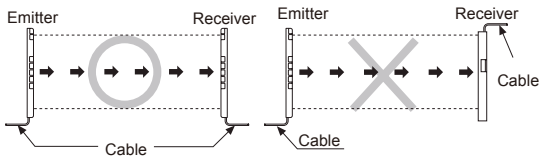
(U) Other

BWPK Series

■ Installation

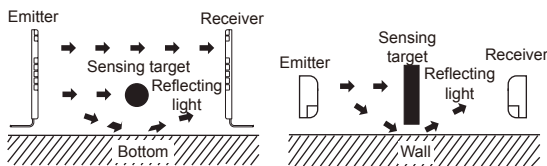
◎ For direction of installation

Emitter and receiver should be installed as same up/down position.



◎ For reflection from the surface of wall and flat

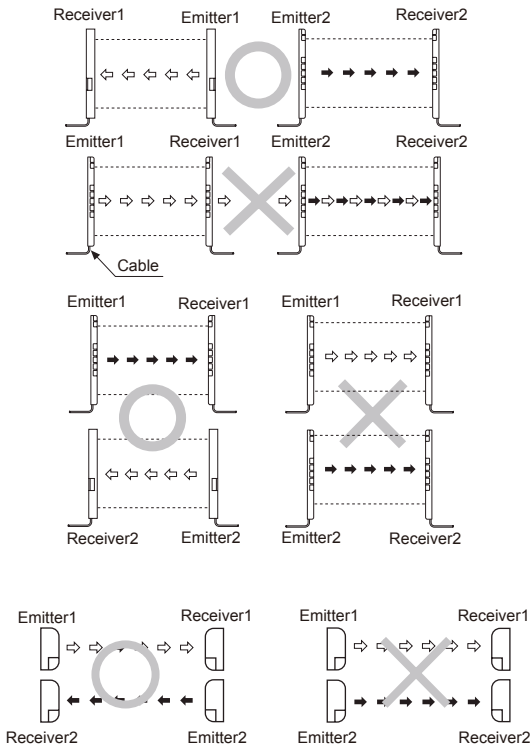
When installing it as below the light reflected from the surface of wall and flat will not be shaded. Please, check whether it operates normally or not with a sensing target before using. (Interval distance : Min. 0.3m)



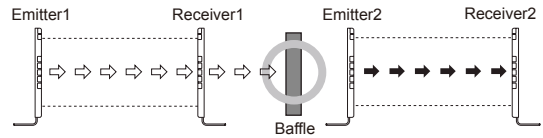
◎ For prevention of interference

It may cause interference when installing more than 2 sets of the sensor. In order to avoid the interference of the sensor, please install as following figures and use the interference protection function.

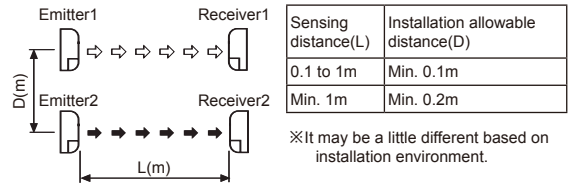
● Transmission direction should be opposite between 2 sets



● Baffle should be installed between 2 sets.



● It should be installed out of the interference distance



■ Troubleshooting

Malfunction	Cause	Troubleshooting
Non-operation	Power supply	Supply rated power.
	Cable incorrect connection or disconnection	Check the wiring.
	Rated connection failure	Use it within rated sensing distance.
Non-operation in sometimes	Pollution by dirt of sensor cover	Remove dirt by soft brush or cloth.
	Connector connection failure	Check the assembled part of the connector.
Control output is OFF even though there is not a target object.	Out of rated sensing distance	Use within rated sensing distance.
	There is an obstacle to cut off the light emitted between emitter and receiver	Remove the obstacle.
	There is a strong electric wave or noise generated by motor, electric generator, high voltage line etc.	Put away the strong electric wave or noise generator.
LED displays for over current	Control output line is shorten	Check the wiring.
	Over load	Check the rated load capacity.