

Digital Panel Meter

DIN W96×H48mm, Digital panel meter for displaying power factor

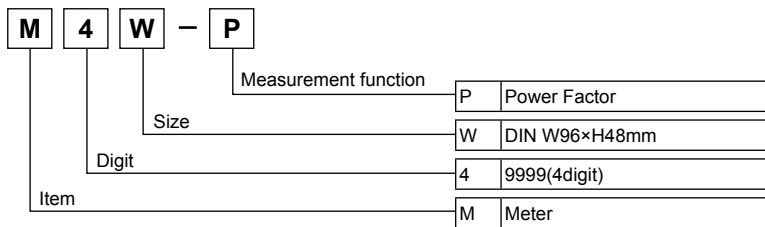
■ Features

- Display indicator of power factor
- Input : DC4-20mA (Output specification of power factor transducer)
- Display : -0.50 to 1.00 to +0.50

! Please read "Caution for your safety" in operation manual before using.



■ Ordering information

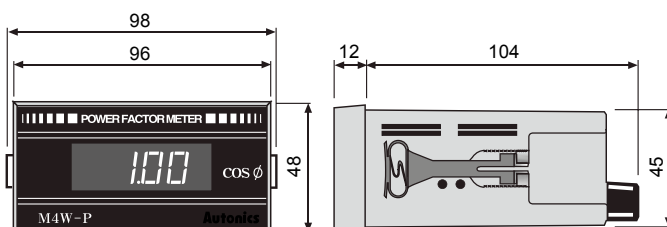


■ Specifications

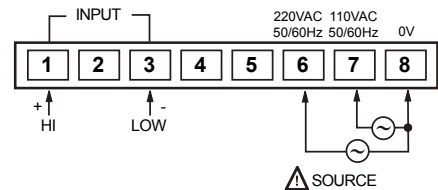
Model	M4W-P	
Measurement function	Power factor	
Input	DC4-20mA	
Display	-0.50 to 1.00 to +0.50 cos ϕ	
Power supply	110/220VAC 50/60Hz	
Allowable voltage range	90 to 110% of rated voltage	
Power consumption	4VA	
Display method	7 Segment LED display	
Character height	14mm	
Display accuracy	F.S: $\pm 3\%$ rdg ± 1 digit	
Sampling period	300ms	
Response speed	2sec.(0 to Max.)	
Point display	Fixed point	
Insulation resistance	Min. 100M Ω (at 500VDC megger)	
Dielectric strength	2000VAC 50/60Hz for 1 minute	
Noise strength	± 1 kV the square wave noise(pulse width : 1 μ s) by the noise simulator	
Vibration	Mechanical	0.75mm amplitude at frequency of 10 to 55Hz (for 1 min.) in each of X, Y, Z directions for 1 hour
	Malfunction	0.5mm amplitude at frequency of 10 to 55Hz (for 1 min.) in each of X, Y, Z directions for 10 minutes
Shock	Mechanical	300m/s ² (approx. 30G) in each of X, Y, Z directions for 3 times
	Malfunction	100m/s ² (approx. 10G) in each of X, Y, Z directions for 3 times
Environ-ment	Ambient temperature	-10 to 50°C, storage : -25 to 60°C
	Ambient humidity	35 to 85%RH, storage : 35 to 85%RH
Unit weight	Approx. 317g	

※Environment resistance is rated at no freezing or condensation.

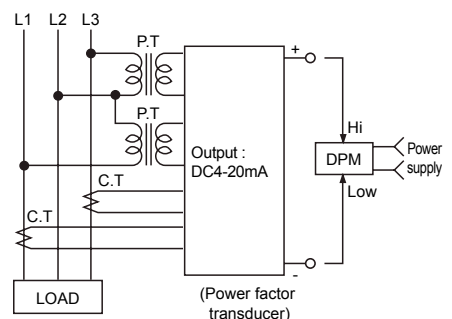
■ Dimension



■ Connections

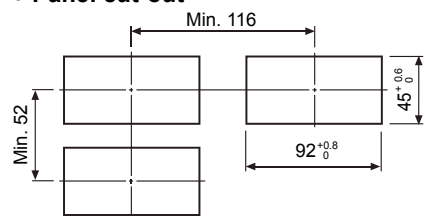


■ Application of connection



● Panel cut-out

(unit: mm)

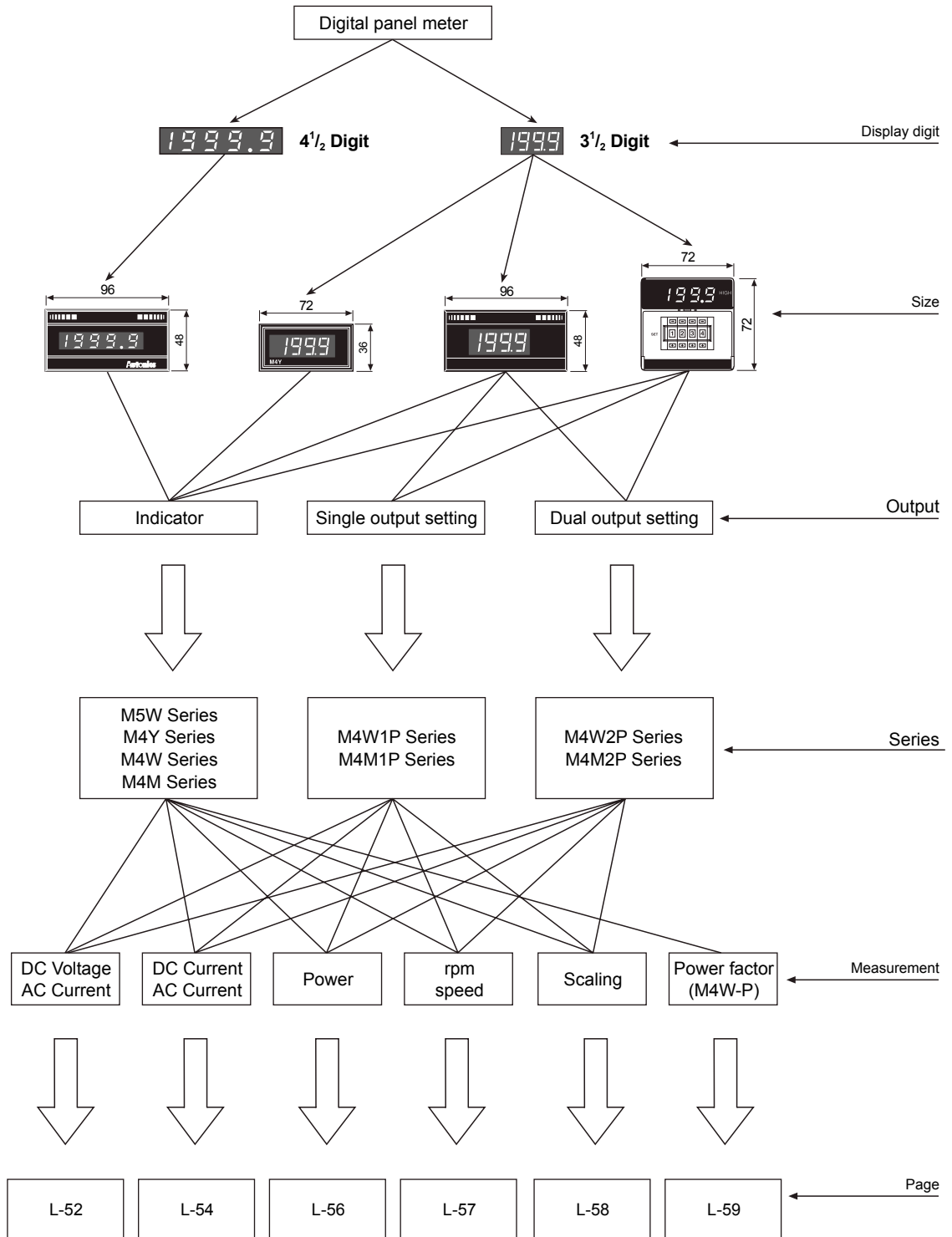


- (A) Photo electric sensor
- (B) Fiber optic sensor
- (C) Door/Area sensor
- (D) Proximity sensor
- (E) Pressure sensor
- (F) Rotary encoder
- (G) Connector/Socket
- (H) Temp. controller
- (I) SSR/ Power controller
- (J) Counter
- (K) Timer
- (L) Panel meter
- (M) Tacho/ Speed/ Pulse meter
- (N) Display unit
- (O) Sensor controller
- (P) Switching mode power supply
- (Q) Stepper motor& Driver&Controller
- (R) Graphic/ Logic panel
- (S) Field network device
- (T) Software
- (U) Other

M4Y/M4W/M5W/M4M Series

■ Panel meter selection II

※This panel meter selection is except MT4N / MT4Y / MT4W Series.



Digital Panel Meter

■ Specifications

Classification		Indicator		Single preset output type		Dual preset output type	
Measurement	DC, AC voltage	M4Y-DV-□ M4Y-AV□-□ M5W-DV-□ M5W-AV-□	M4W-DV-□ M4W-AV□-□ M4M-DV-□ M4M-AV□-□	M4W1P-DV-□ M4W1P-AV□-□ M4M1P-DV-□ M4M1P-AV□-□	M4W2P-DV-□ M4W2P-AV□-□ M4M2P-DV-□ M4M2P-AV□-□		
	DC, AC ampere	M4Y-DA-□ M4Y-AA□-□ M5W-DA-□ M5W-AA-□	M4W-DA-□ M4W-AA□-□ M4M-DA-□ M4M-AA□-□	M4W1P-DA-□ M4W1P-AA□-□ M4M1P-DA-□ M4M1P-AA□-□	M4W2P-DA-□ M4W2P-AA□-□ M4M2P-DA-□ M4M2P-AA□-□		
	AC power (0-10VDC)	M4Y-W-□ M5W-W-□	M4W-W-□ M4M-W-□	M4W1P-W-□ M4M1P-W-□	M4W2P-W M4M2P-W		
	rpm, speed (0-10VDC) (0-10VAC)	M4Y-T□-□ M4Y-S□-□ M5W-T-□ M5W-S-□	M4W-T□-□ M4W-S□-□ M4M-T-□ M4M-S-□	M4W1P-T□-□ M4W1P-S□-□ M4M1P-T-□ M4M1P-S-□	M4W2P-T□-□ M4W2P-S□-□ M4M2P-T-□ M4M2P-S-□		
	Power factor (DC4-20mA)	—	M4W-P (Refer to L-57)	—	—		
Max. allowable input		150% for each input specification(At 400VAC:120%)					
Power supply		100-240VAC 50/60Hz ★ 5VDC (Except for M5W) ★ 24-70VDC	110/220VAC 50/60Hz ★ 24-70VDC ★ 100-240VAC 50/60Hz				
Allowable voltage range		90 to 110% of rated voltage					
Power consumption		DC: 2W, AC: 4VA		DC: 3W, AC: 5VA			
Display method		7 Segment LED display					
Character height		M4Y, M4W, M5W : 14mm / M4W1P, M4W2P, M4M1P, M4M2P : 10mm					
Display accuracy		DC : F.S. ±0.2% rdg ±1digit AC : F.S. ±0.5% rdg ±1digit					
Sampling period		300ms					
A/D conversion method		Dual slope integral method					
Response time		2sec.(0 to Max.)					
Display frequency		2.5 times/sec.					
Contact capacity		—		Relay contact output : 250VAC 3A 1c		Relay contact output : 250VAC 3A 1c×2	
Insulation resistance		100MΩ(at 500VDC megger)					
Dielectric strength		2000VAC 50/60Hz for 1 minute					
Noise strength		±1kV the square wave noise (pulse width: 1us) by the noise simulator					
Vibration	Mechanical	0.75mm amplitude at frequency of 10 to 55Hz(for 1 min.) in each of X, Y, Z directions for 1 hour					
	Malfunction	0.5mm amplitude at frequency of 10 to 55Hz(for 1 min.) in each of X, Y, Z directions for 10 minutes					
Shock	Mechanical	300m/s²(approx. 30G) in X, Y, Z directions for 3 times					
	Malfunction	100m/s²(approx. 10G) in X, Y, Z directions for 3 times					
Relay life cycle	Mechanical	—		Min. 10,000,000 operations			
	Malfunction	—		Min. 100,000 operations (250VAC 3A resistive load)			
Environment	Ambient temperature	-10 to 50°C, storage: -20 to 60°C					
	Ambient humidity	35 to 85%RH, storage: 35 to 85%RH					
Unit weight		M4Y: Approx. 144g M5W: Approx. 172g	M4W: Approx. 168g M4M: Approx. 262g (M4M-P: Approx. 268g)	M4W1P: Approx. 253g M4M1P: Approx. 290g	M4W2P: Approx. 278g M4M2P: Approx. 316g		

※"★" symbol in power supply is optional. (customizable)

※Environment resistance is rated at no freezing or condensation.

(A)
Photo electric sensor

(B)
Fiber optic sensor

(C)
Door/Area sensor

(D)
Proximity sensor

(E)
Pressure sensor

(F)
Rotary encoder

(G)
Connector/Socket

(H)
Temp. controller

(I)
SSR/Power controller

(J)
Counter

(K)
Timer

(L)
Panel meter

(M)
Tacho/Speed/Pulse meter

(N)
Display unit

(O)
Sensor controller

(P)
Switching mode power supply

(Q)
Stepper motor& Driver&Controller

(R)
Graphic/Logic panel

(S)
Field network device

(T)
Software

(U)
Other

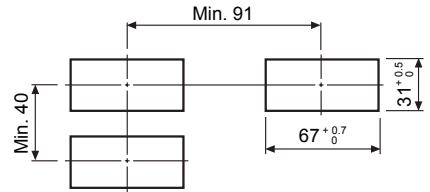
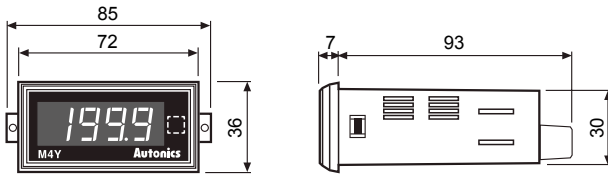
M4Y/M4W/M5W/M4M Series

■ Dimensions

(unit: mm)

● M4Y

● Panel cut-out



※Unit will be displayed in □ of front panel.

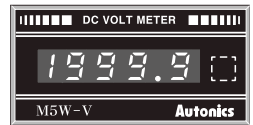
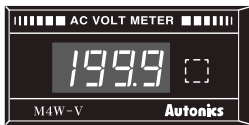
(unit: mm)

● M4W

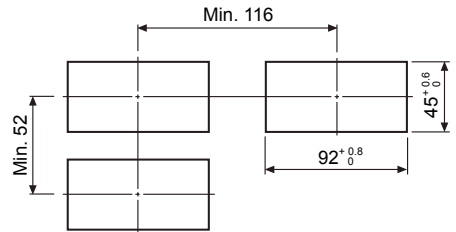
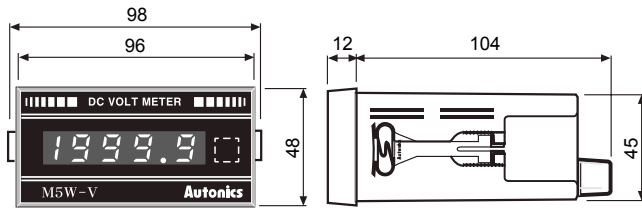
● M4W1P

● M4W2P

● M5W



● Panel cut-out



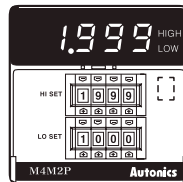
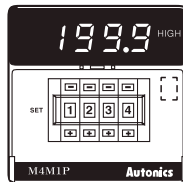
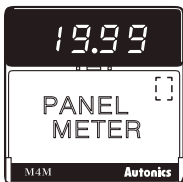
※Unit will be displayed in □ of front panel.

(unit: mm)

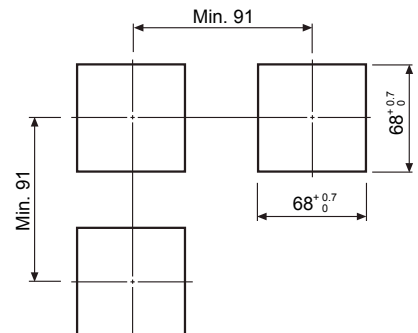
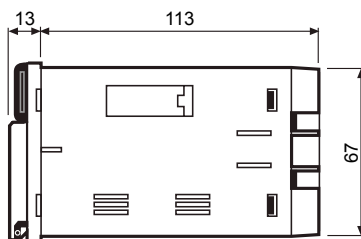
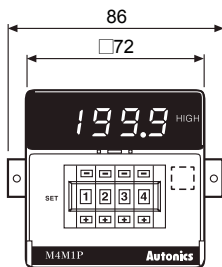
● M4M

● M4M1P

● M4M2P



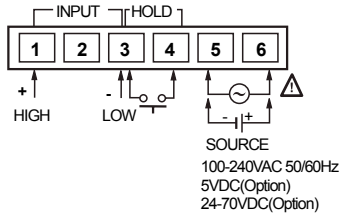
● Panel cut-out



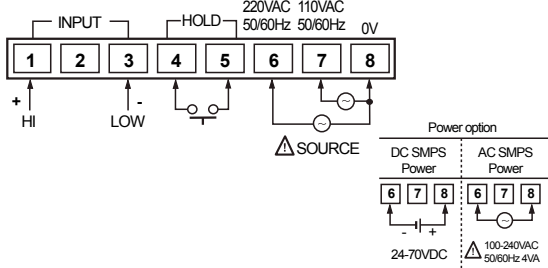
※Unit will be displayed in □ of front panel.

■ Connections

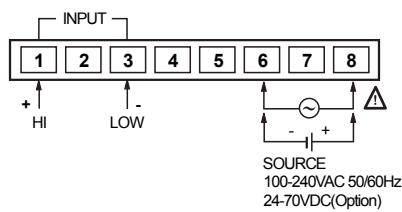
● M4Y



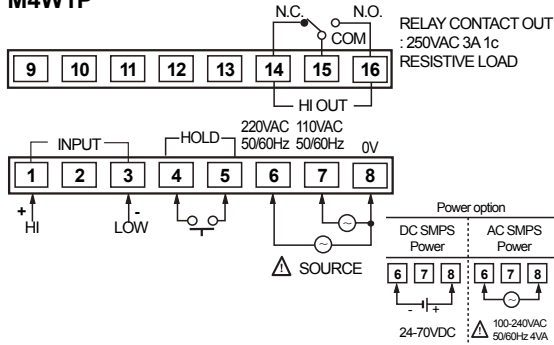
● M4W



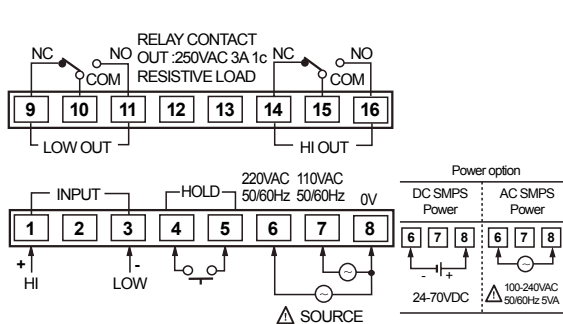
● M5W



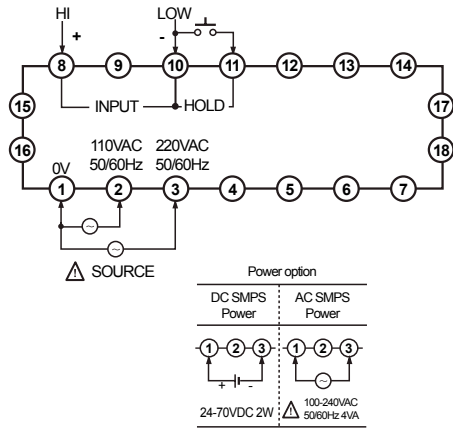
● M4W1P



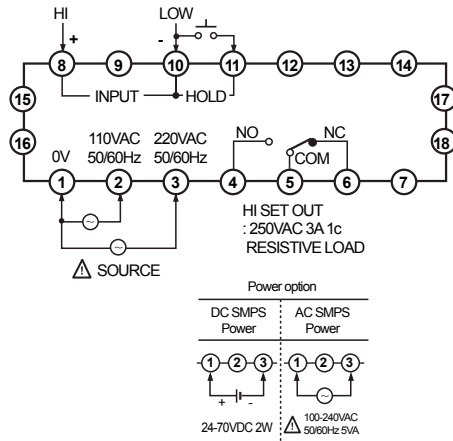
● M4W2P



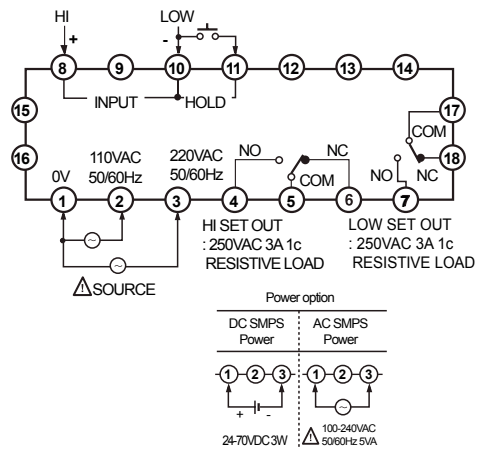
● M4M



● M4M1P



● M4M2P



(A) Photo electric sensor

(B) Fiber optic sensor

(C) Door/Area sensor

(D) Proximity sensor

(E) Pressure sensor

(F) Rotary encoder

(G) Connector/Socket

(H) Temp. controller

(I) SSR/ Power controller

(J) Counter

(K) Timer

(L) Panel meter

(M) Tacho/ Speed/ Pulse meter

(N) Display unit

(O) Sensor controller

(P) Switching mode power supply

(Q) Stepper motor& Driver&Controller

(R) Graphic/ Logic panel

(S) Field network device

(T) Software

(U) Other