


DIN W72×H36mm, W96×H48mm, W72×H72mm

Digital panel meter for measuring Revolution/Speed

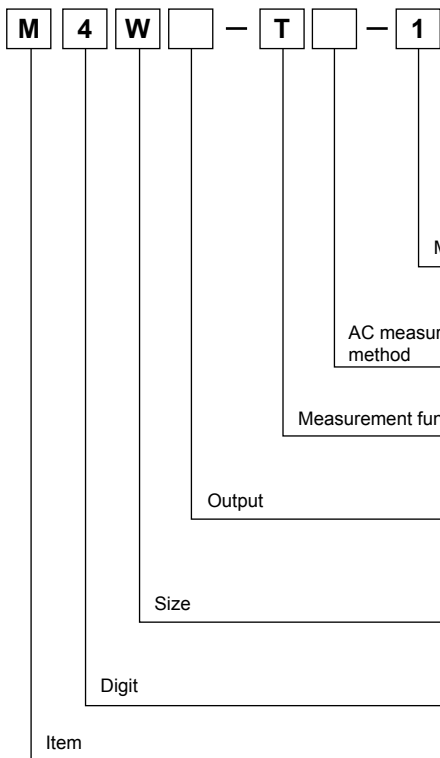
■ Features

- Max. display: 19999(M5W), 1999(Others)
- Auto zero function or hold function(Except for M5W)
- RMS/AVG value selection function(AC voltage)
- 7 Segment LED display
- Case size by DIN specification
- Indicator, single preset output type, Dual preset output type

 Please read "Caution for your safety" in operation manual before using.



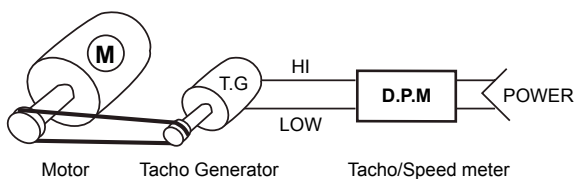
■ Ordering information



NO	M4Y / M4W / M4M	M5W
	INPUT (F.S.)	INPUT (F.S.)
1	0-10VDC / 1999	0-10VDC / 1999.9
2	0-10VAC / 1999	0-10VAC / 1999.9
DX	DC Input option	DC Input option
XX	AC Input option	AC Input option
No mark	AVG value	
R ^{※1}	RMS value	
T	Tachometer(rpm)	
S	Line Speed Meter(m/min)	
No mark	Indicator	
1P	Single setting output	
2P	Dual setting output	
Y ^{※2}	DIN W72×H36mm	
W ^{※2}	DIN W96×H48mm	
M	DIN W72×H72mm	
4	1999(3½digit)	
5	19999(4½digit)	
M	Meter	

※1: AC measuring type of M5W only applies to RMS and it is not marked with "R" in the model name.
 ※2: M4Y, M5W are indicator.

■ Application of connection



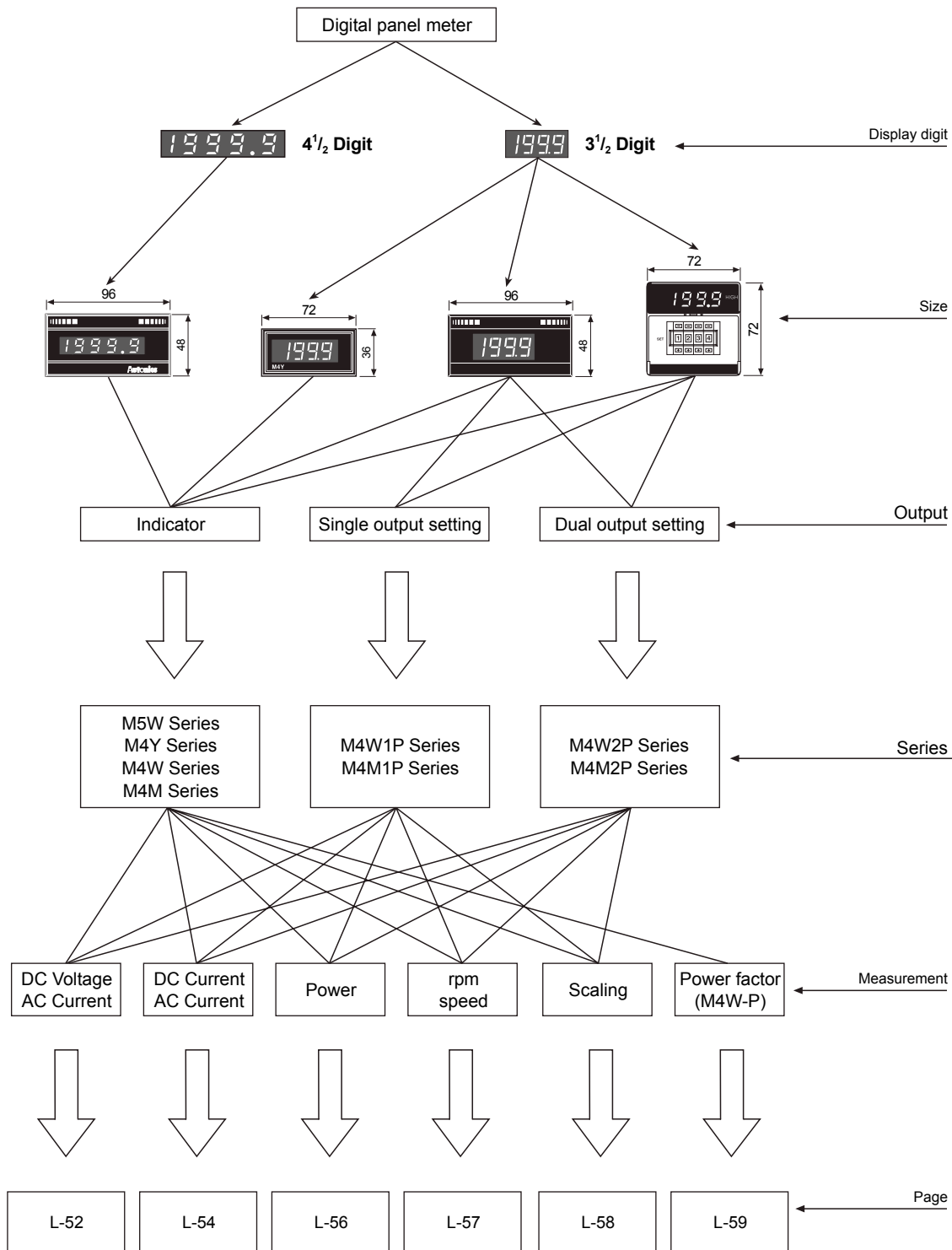
- Tacho Generator(T.G)
 This generator makes a voltage in proportion to revolution speed of motor. The D.P.M receives the voltage and displays the number of revolution and please check the specification of T.G.
- The specification of measuring input indicated in ordering information, is display value when output specification is 0-10VDC and 0-10VAC. Different output specification of tacho generator is optional.

(A)	Photo electric sensor
(B)	Fiber optic sensor
(C)	Door/Area sensor
(D)	Proximity sensor
(E)	Pressure sensor
(F)	Rotary encoder
(G)	Connector/ Socket
(H)	Temp. controller
(I)	SSR/ Power controller
(J)	Counter
(K)	Timer
(L)	Panel meter
(M)	Tacho/ Speed/ Pulse meter
(N)	Display unit
(O)	Sensor controller
(P)	Switching mode power supply
(Q)	Stepper motor& Driver&Controller
(R)	Graphic/ Logic panel
(S)	Field network device
(T)	Software
(U)	Other

M4Y/M4W/M5W/M4M Series

■ Panel meter selection II

※This panel meter selection is except MT4N / MT4Y / MT4W Series.



Digital Panel Meter

■ Specifications

Classification		Indicator		Single preset output type		Dual preset output type	
Measurement	DC, AC voltage	M4Y-DV-□ M4Y-AV□-□ M5W-DV-□ M5W-AV-□	M4W-DV-□ M4W-AV□-□ M4M-DV-□ M4M-AV□-□	M4W1P-DV-□ M4W1P-AV□-□ M4M1P-DV-□ M4M1P-AV□-□	M4W2P-DV-□ M4W2P-AV□-□ M4M2P-DV-□ M4M2P-AV□-□		
	DC, AC ampere	M4Y-DA-□ M4Y-AA□-□ M5W-DA-□ M5W-AA-□	M4W-DA-□ M4W-AA□-□ M4M-DA-□ M4M-AA□-□	M4W1P-DA-□ M4W1P-AA□-□ M4M1P-DA-□ M4M1P-AA□-□	M4W2P-DA-□ M4W2P-AA□-□ M4M2P-DA-□ M4M2P-AA□-□		
	AC power (0-10VDC)	M4Y-W-□ M5W-W-□	M4W-W-□ M4M-W-□	M4W1P-W-□ M4M1P-W-□	M4W2P-W M4M2P-W		
	rpm, speed (0-10VDC) (0-10VAC)	M4Y-T□-□ M4Y-S□-□ M5W-T-□ M5W-S-□	M4W-T□-□ M4W-S□-□ M4M-T-□ M4M-S-□	M4W1P-T□-□ M4W1P-S□-□ M4M1P-T-□ M4M1P-S-□	M4W2P-T□-□ M4W2P-S□-□ M4M2P-T-□ M4M2P-S-□		
	Power factor (DC4-20mA)	—	M4W-P (Refer to L-57)	—	—		
Max. allowable input		150% for each input specification(At 400VAC:120%)					
Power supply		100-240VAC 50/60Hz ★ 5VDC (Except for M5W) ★ 24-70VDC	110/220VAC 50/60Hz ★ 24-70VDC ★ 100-240VAC 50/60Hz				
Allowable voltage range		90 to 110% of rated voltage					
Power consumption		DC: 2W, AC: 4VA		DC: 3W, AC: 5VA			
Display method		7 Segment LED display					
Character height		M4Y, M4W, M5W : 14mm / M4W1P, M4W2P, M4M1P, M4M2P : 10mm					
Display accuracy		DC : F.S. ±0.2% rdg ±1digit AC : F.S. ±0.5% rdg ±1digit					
Sampling period		300ms					
A/D conversion method		Dual slope integral method					
Response time		2sec.(0 to Max.)					
Display frequency		2.5 times/sec.					
Contact capacity		—		Relay contact output : 250VAC 3A 1c		Relay contact output : 250VAC 3A 1c×2	
Insulation resistance		100MΩ(at 500VDC megger)					
Dielectric strength		2000VAC 50/60Hz for 1 minute					
Noise strength		±1kV the square wave noise (pulse width: 1us) by the noise simulator					
Vibration	Mechanical	0.75mm amplitude at frequency of 10 to 55Hz(for 1 min.) in each of X, Y, Z directions for 1 hour					
	Malfunction	0.5mm amplitude at frequency of 10 to 55Hz(for 1 min.) in each of X, Y, Z directions for 10 minutes					
Shock	Mechanical	300m/s²(approx. 30G) in X, Y, Z directions for 3 times					
	Malfunction	100m/s²(approx. 10G) in X, Y, Z directions for 3 times					
Relay life cycle	Mechanical	—		Min. 10,000,000 operations			
	Malfunction	—		Min. 100,000 operations (250VAC 3A resistive load)			
Environment	Ambient temperature	-10 to 50°C, storage: -20 to 60°C					
	Ambient humidity	35 to 85%RH, storage: 35 to 85%RH					
Unit weight		M4Y: Approx. 144g M5W: Approx. 172g	M4W: Approx. 168g M4M: Approx. 262g (M4M-P: Approx. 268g)	M4W1P: Approx. 253g M4M1P: Approx. 290g	M4W2P: Approx. 278g M4M2P: Approx. 316g		

※"★" symbol in power supply is optional. (customizable)

※Environment resistance is rated at no freezing or condensation.

(A)
Photo electric sensor

(B)
Fiber optic sensor

(C)
Door/Area sensor

(D)
Proximity sensor

(E)
Pressure sensor

(F)
Rotary encoder

(G)
Connector/Socket

(H)
Temp. controller

(I)
SSR/ Power controller

(J)
Counter

(K)
Timer

(L)
Panel meter

(M)
Tacho/ Speed/ Pulse meter

(N)
Display unit

(O)
Sensor controller

(P)
Switching mode power supply

(Q)
Stepper motor& Driver&Controller

(R)
Graphic/ Logic panel

(S)
Field network device

(T)
Software

(U)
Other

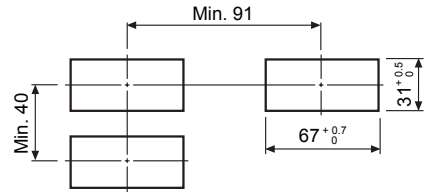
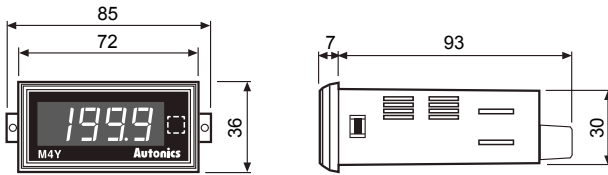
M4Y/M4W/M5W/M4M Series

■ Dimensions

(unit: mm)

● M4Y

● Panel cut-out



※Unit will be displayed in □ of front panel.

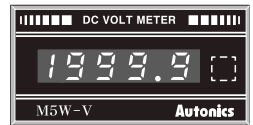
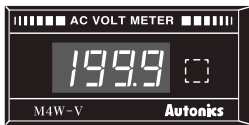
(unit: mm)

● M4W

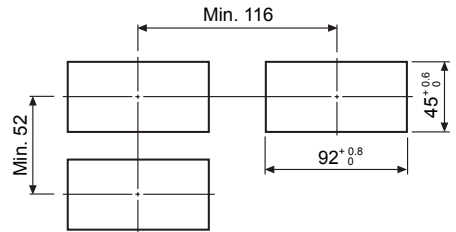
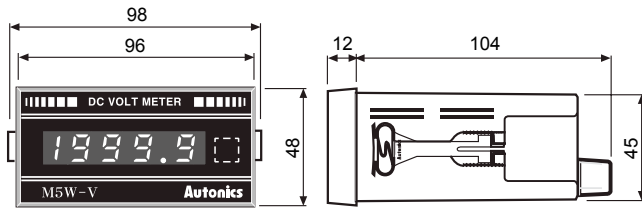
● M4W1P

● M4W2P

● M5W



● Panel cut-out



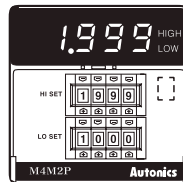
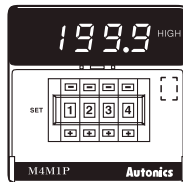
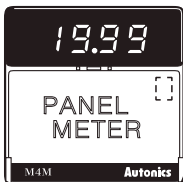
※Unit will be displayed in □ of front panel.

(unit: mm)

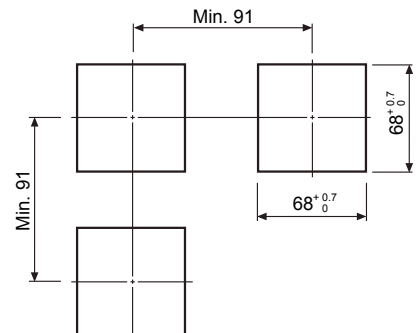
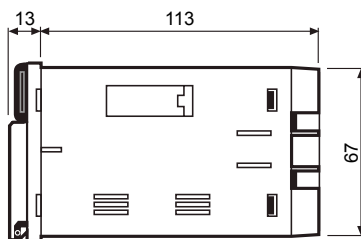
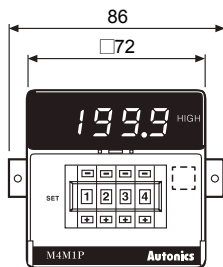
● M4M

● M4M1P

● M4M2P



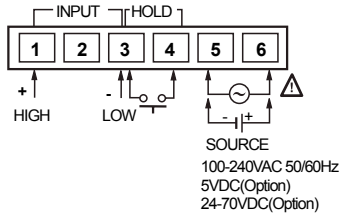
● Panel cut-out



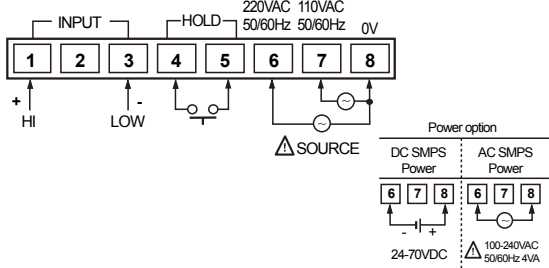
※Unit will be displayed in □ of front panel.

■ Connections

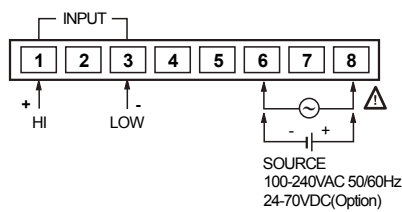
● M4Y



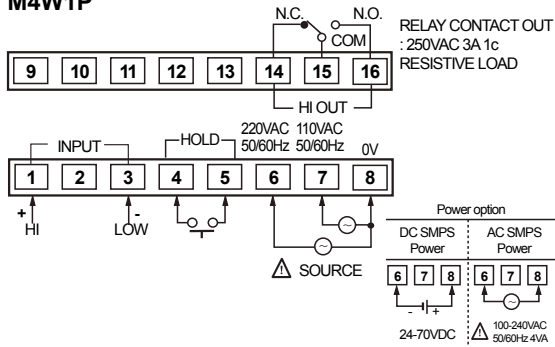
● M4W



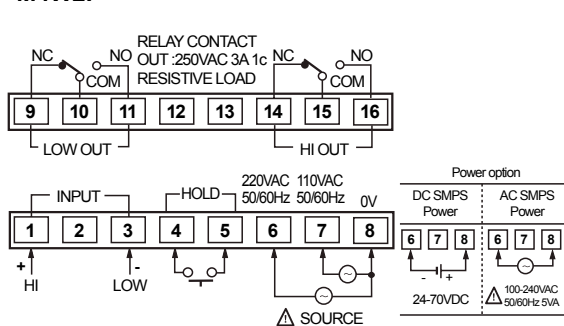
● M5W



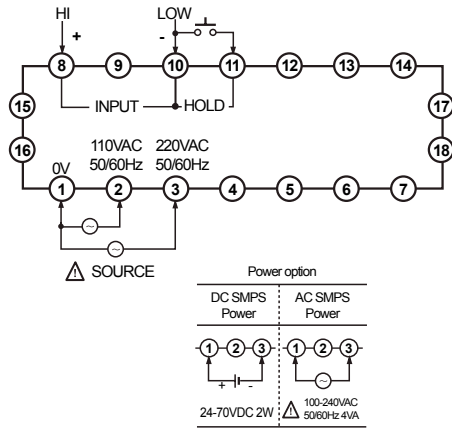
● M4W1P



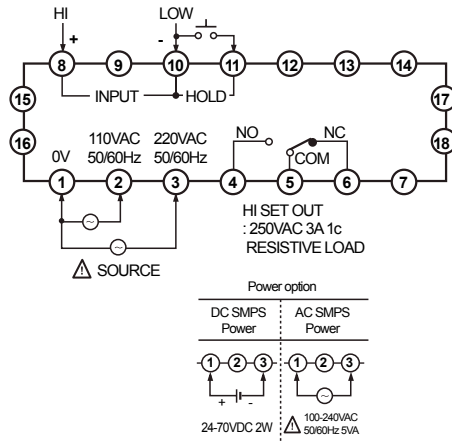
● M4W2P



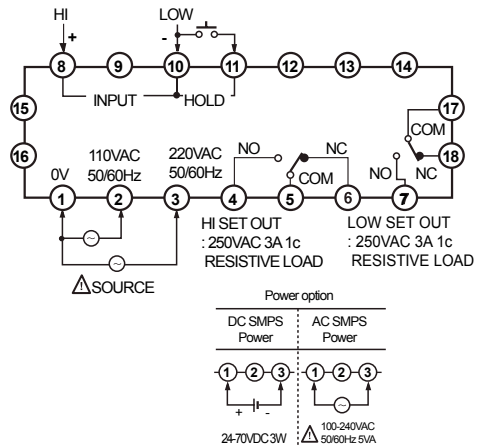
● M4M



● M4M1P



● M4M2P



(A) Photo electric sensor

(B) Fiber optic sensor

(C) Door/Area sensor

(D) Proximity sensor

(E) Pressure sensor

(F) Rotary encoder

(G) Connector/Socket

(H) Temp. controller

(I) SSR/ Power controller

(J) Counter

(K) Timer

(L) Panel meter

(M) Tacho/ Speed/ Pulse meter

(N) Display unit

(O) Sensor controller

(P) Switching mode power supply

(Q) Stepper motor& Driver&Controller

(R) Graphic/ Logic panel

(S) Field network device

(T) Software

(U) Other