

# M4Y/M4W/M5W/M4M Series

DIN W72×H36mm, W96×H48mm, W72×H72mm

Digital panel meter for measuring power

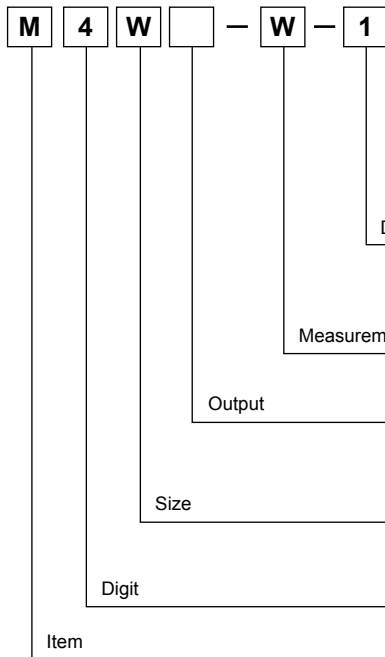
## ■ Features

- Max. display : 19999(M5W), 1999(Others)
- Auto zero function and hold function(Except for M5W)
- Display the output(0-10VDC) from power converter.  
(It is available to correspond when output is DC4-20mA, 1-5VDC.)
- 7 Segment LED display
- Case size by DIN specification.
- Indicator, single preset output type, Dual preset output type

**⚠ Please read "Caution for your safety" in operation manual before using.**



## ■ Ordering information



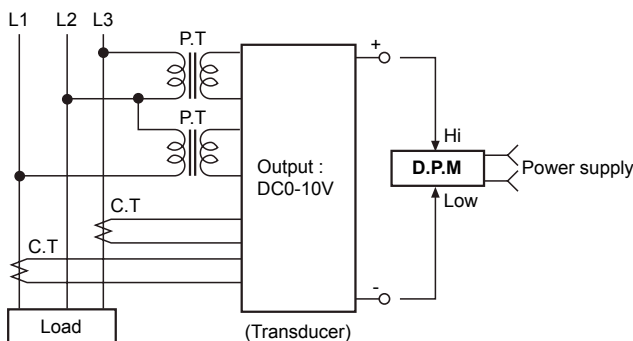
NO	M4Y / M4W / M4M	M5W
	DISPLAY(F.S.)	
1	199.9W	199.99W
2	1.999kW	1.9999kW
3	19.99kW	19.999kW
4	199.9kW	199.99kW
5	1999kW	1999.9kW
XX	Option	Option
W	Watt Meter	
No mark	Indicator	
1P	Single setting	
2P	Dual setting	
Y <sup>※2</sup>	DIN W72×H36mm	
W <sup>※2</sup>	DIN W96×H48mm	
M	DIN W72×H72mm	
4	1999(3½digit)	
5	19999(4½digit)	
M	Meter	

※1: When output specification of power converter is 0-10VDC, display value is maximum.

※2: M4Y, M5W are indicator.

※If output specification of Converter or power converter is DC4-20mA or 1-5VDC, please use scaling meter.

## ■ Application of connection

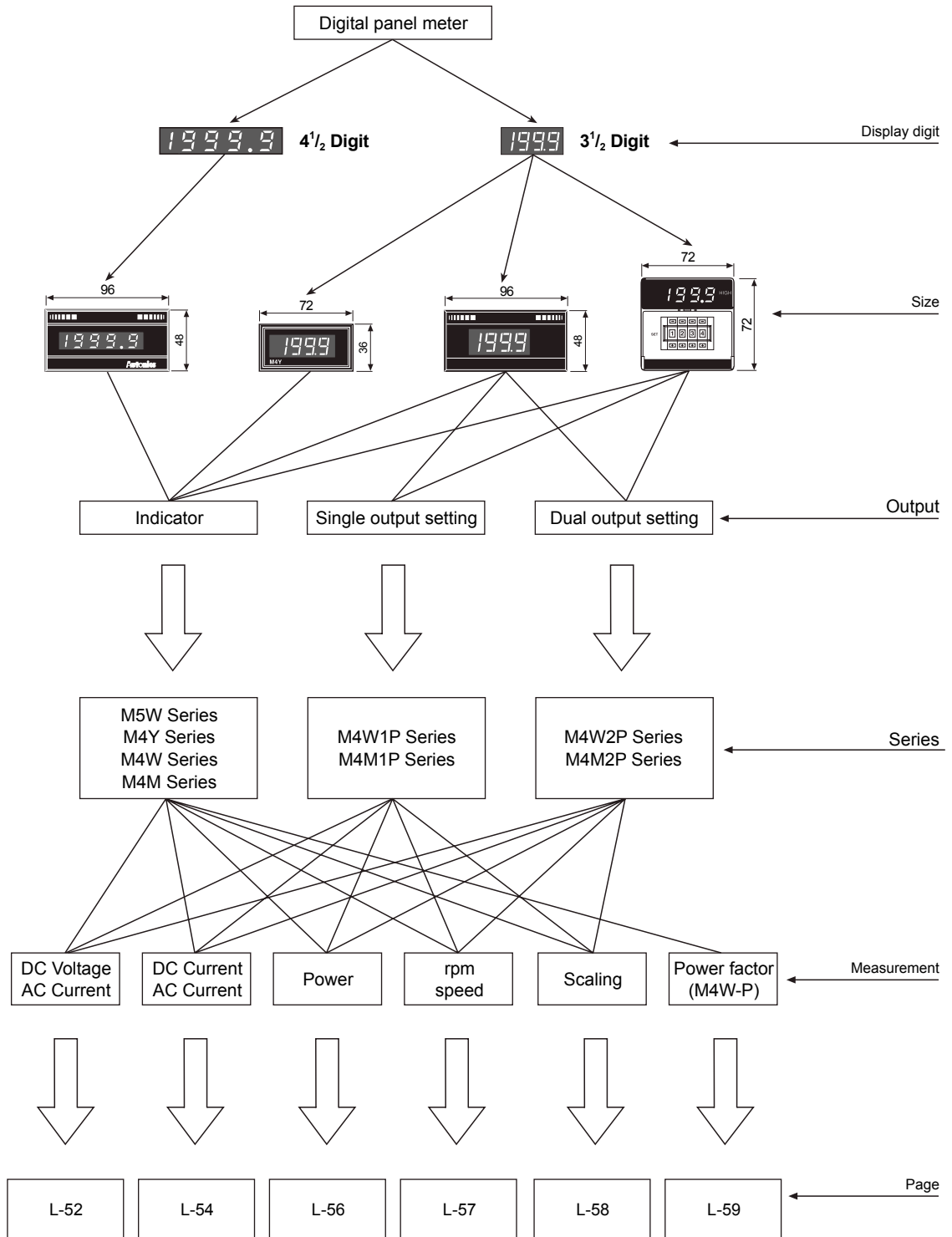


- The specification of measuring input indicated in ordering information, is display value output specification is 0-10VDC.
- When the output of transducer or converter is DC4-20mA or 1-5VDC, please use scaling meter.

# M4Y/M4W/M5W/M4M Series

## ■ Panel meter selection II

※This panel meter selection is except MT4N / MT4Y / MT4W Series.



# Digital Panel Meter

## ■ Specifications

Classification		Indicator		Single preset output type		Dual preset output type	
Measurement	DC, AC voltage	M4Y-DV-□ M4Y-AV□-□ M5W-DV-□ M5W-AV-□	M4W-DV-□ M4W-AV□-□ M4M-DV-□ M4M-AV□-□	M4W1P-DV-□ M4W1P-AV□-□ M4M1P-DV-□ M4M1P-AV□-□	M4W2P-DV-□ M4W2P-AV□-□ M4M2P-DV-□ M4M2P-AV□-□		
	DC, AC ampere	M4Y-DA-□ M4Y-AA□-□ M5W-DA-□ M5W-AA-□	M4W-DA-□ M4W-AA□-□ M4M-DA-□ M4M-AA□-□	M4W1P-DA-□ M4W1P-AA□-□ M4M1P-DA-□ M4M1P-AA□-□	M4W2P-DA-□ M4W2P-AA□-□ M4M2P-DA-□ M4M2P-AA□-□		
	AC power (0-10VDC)	M4Y-W-□ M5W-W-□	M4W-W-□ M4M-W-□	M4W1P-W-□ M4M1P-W-□	M4W2P-W M4M2P-W		
	rpm, speed (0-10VDC) (0-10VAC)	M4Y-T□-□ M4Y-S□-□ M5W-T-□ M5W-S-□	M4W-T□-□ M4W-S□-□ M4M-T-□ M4M-S-□	M4W1P-T□-□ M4W1P-S□-□ M4M1P-T-□ M4M1P-S-□	M4W2P-T□-□ M4W2P-S□-□ M4M2P-T-□ M4M2P-S-□		
	Power factor (DC4-20mA)	—	M4W-P (Refer to L-57)	—	—		
Max. allowable input		150% for each input specification(At 400VAC:120%)					
Power supply		100-240VAC 50/60Hz ★ 5VDC (Except for M5W) ★ 24-70VDC	110/220VAC 50/60Hz ★ 24-70VDC ★ 100-240VAC 50/60Hz				
Allowable voltage range		90 to 110% of rated voltage					
Power consumption		DC: 2W, AC: 4VA		DC: 3W, AC: 5VA			
Display method		7 Segment LED display					
Character height		M4Y, M4W, M5W : 14mm / M4W1P, M4W2P, M4M1P, M4M2P : 10mm					
Display accuracy		DC : F.S. ±0.2% rdg ±1digit AC : F.S. ±0.5% rdg ±1digit					
Sampling period		300ms					
A/D conversion method		Dual slope integral method					
Response time		2sec.(0 to Max.)					
Display frequency		2.5 times/sec.					
Contact capacity		—		Relay contact output : 250VAC 3A 1c		Relay contact output : 250VAC 3A 1c×2	
Insulation resistance		100MΩ(at 500VDC megger)					
Dielectric strength		2000VAC 50/60Hz for 1 minute					
Noise strength		±1kV the square wave noise (pulse width: 1us) by the noise simulator					
Vibration	Mechanical	0.75mm amplitude at frequency of 10 to 55Hz(for 1 min.) in each of X, Y, Z directions for 1 hour					
	Malfunction	0.5mm amplitude at frequency of 10 to 55Hz(for 1 min.) in each of X, Y, Z directions for 10 minutes					
Shock	Mechanical	300m/s²(approx. 30G) in X, Y, Z directions for 3 times					
	Malfunction	100m/s²(approx. 10G) in X, Y, Z directions for 3 times					
Relay life cycle	Mechanical	—		Min. 10,000,000 operations			
	Malfunction	—		Min. 100,000 operations (250VAC 3A resistive load)			
Environment	Ambient temperature	-10 to 50°C, storage: -20 to 60°C					
	Ambient humidity	35 to 85%RH, storage: 35 to 85%RH					
Unit weight		M4Y: Approx. 144g M5W: Approx. 172g	M4W: Approx. 168g M4M: Approx. 262g (M4M-P: Approx. 268g)	M4W1P: Approx. 253g M4M1P: Approx. 290g	M4W2P: Approx. 278g M4M2P: Approx. 316g		

※"★" symbol in power supply is optional. (customizable)

※Environment resistance is rated at no freezing or condensation.

(A)  
Photo electric sensor

(B)  
Fiber optic sensor

(C)  
Door/Area sensor

(D)  
Proximity sensor

(E)  
Pressure sensor

(F)  
Rotary encoder

(G)  
Connector/Socket

(H)  
Temp. controller

(I)  
SSR/Power controller

(J)  
Counter

(K)  
Timer

(L)  
Panel meter

(M)  
Tacho/Speed/Pulse meter

(N)  
Display unit

(O)  
Sensor controller

(P)  
Switching mode power supply

(Q)  
Stepper motor& Driver&Controller

(R)  
Graphic/Logic panel

(S)  
Field network device

(T)  
Software

(U)  
Other

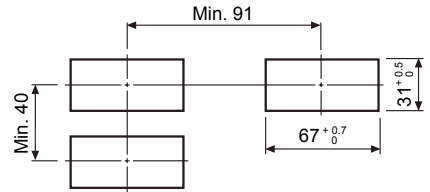
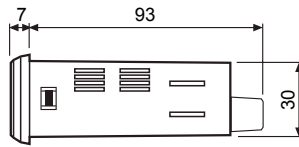
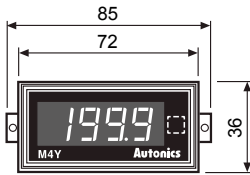
# M4Y/M4W/M5W/M4M Series

## ■ Dimensions

(unit: mm)

### ● M4Y

### ● Panel cut-out



※Unit will be displayed in □ of front panel.

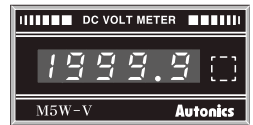
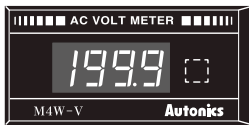
(unit: mm)

### ● M4W

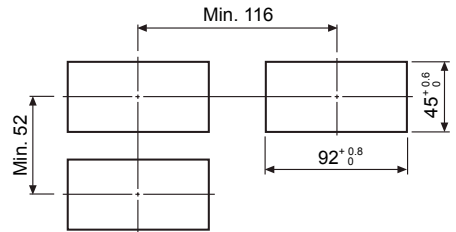
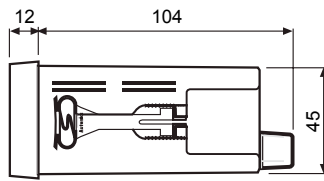
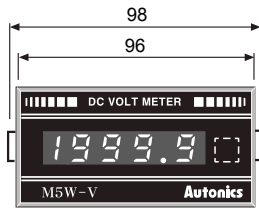
### ● M4W1P

### ● M4W2P

### ● M5W



### ● Panel cut-out



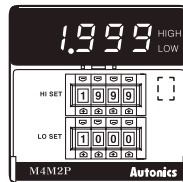
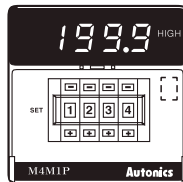
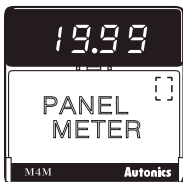
※Unit will be displayed in □ of front panel.

(unit: mm)

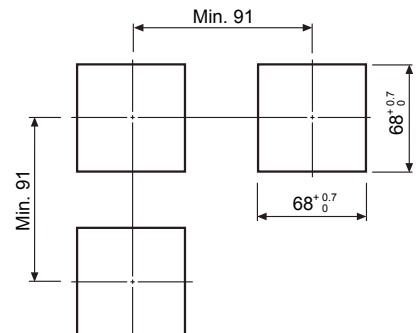
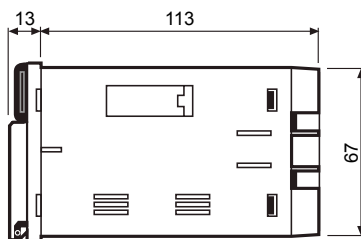
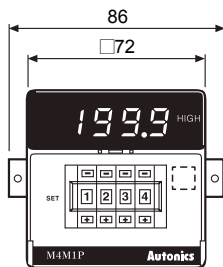
### ● M4M

### ● M4M1P

### ● M4M2P



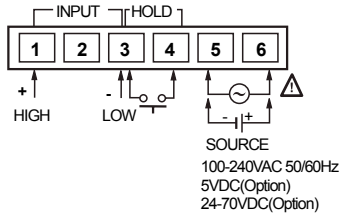
### ● Panel cut-out



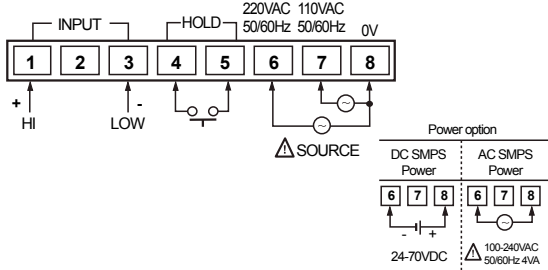
※Unit will be displayed in □ of front panel.

## ■ Connections

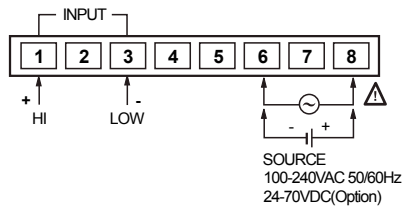
### ● M4Y



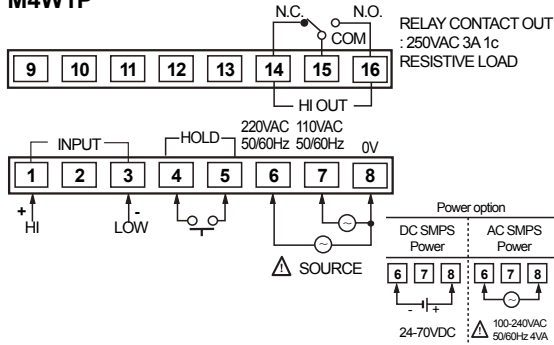
### ● M4W



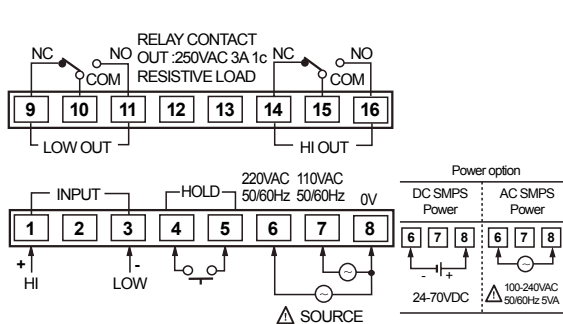
### ● M5W



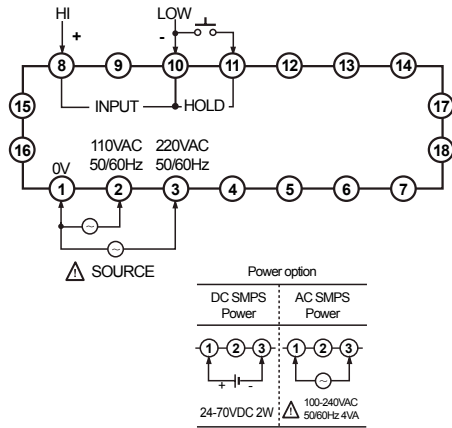
### ● M4W1P



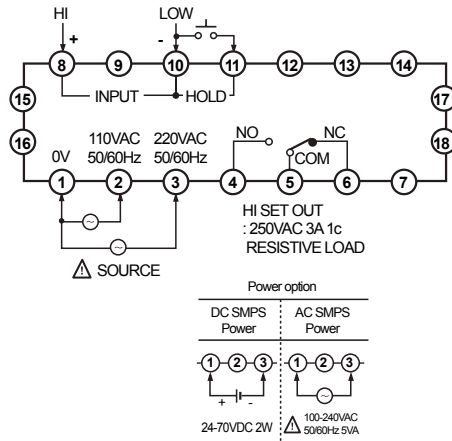
### ● M4W2P



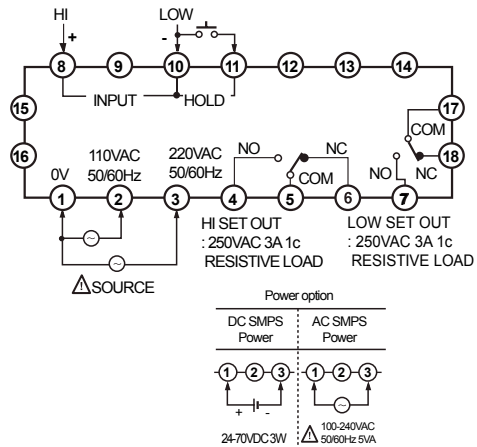
### ● M4M



### ● M4M1P



### ● M4M2P



(A) Photo electric sensor

(B) Fiber optic sensor

(C) Door/Area sensor

(D) Proximity sensor

(E) Pressure sensor

(F) Rotary encoder

(G) Connector/Socket

(H) Temp. controller

(I) SSR/ Power controller

(J) Counter

(K) Timer

(L) Panel meter

(M) Tacho/ Speed/ Pulse meter

(N) Display unit

(O) Sensor controller

(P) Switching mode power supply

(Q) Stepper motor& Driver&Controller

(R) Graphic/ Logic panel

(S) Field network device

(T) Software

(U) Other