

DIN W48×H24mm, Indication only, LCD pulse meter(RPM, RPS, Hz)

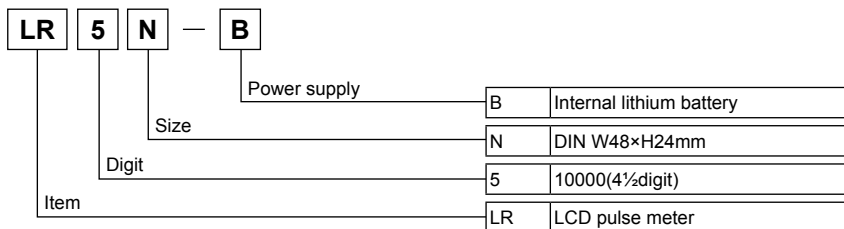
■ Features

- Upgraded version of LR7N series
- Easy of 1 pulse input method per 1 revolution
- Display up to 10000RPM
- No need power supply by internal battery
- Protection structure IP66(Front panel only)
- Displays RPM, RPS of rotator
- Displays AC line frequency



⚠ Please read "Caution for your safety" in operation manual before using.

■ Ordering information



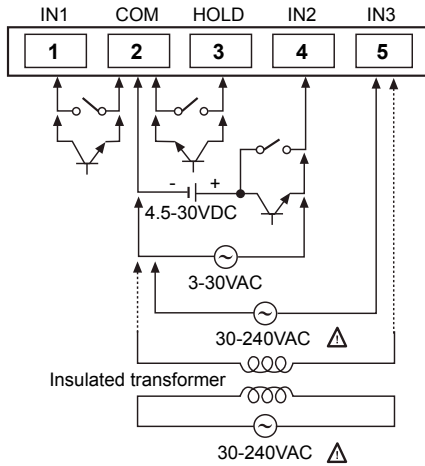
■ Specifications

Series	LR5N-B		
Input type	No-voltage input	Voltage input 1	Voltage input 2
Input signal level	<ul style="list-style-type: none"> ● Impedance at short-circuit: Max. 10kΩ, residual voltage: Max. 0.5V ● Impedance at open-circuit: Min. 500kΩ 	DC High voltage : 4.5-30VDC Low voltage : 0-2VDC AC Voltage : 3-30VAC	Voltage : 30-240VAC
Battery life cycle	Approx. over 3 years at 20°C (replaceable)		
Display method	LCD zero blanking type(Height : 8.7mm)		
Digit	5digit		
Display range	RPM	1 to 10000RPM	
	0.1RPM	0.1 to 1000.0RPM	
	RPS	1 to 1000RPS	
	Hz	1 to 1000Hz	
	0.1Hz	0.1 to 100.0Hz	
Display accuracy	F.S. ±0.1% ±1digit		
HOLD function	Included(External HOLD terminal)		
Insulation resistance	Min. 100MΩ(at 500VDC megger)		
Dielectric strength	2000VAC 50/60Hz for 1 minute(Cutoff current=10mA)		
Vibration	Mechanical	0.75mm amplitude at frequency of 10 to 55Hz(for 1 min.) in each of X, Y, Z directions for 1 hour	
	Malfunction	0.3mm amplitude at frequency of 10 to 55Hz(for 1 min.) in each of X, Y, Z directions for 10 minutes	
Shock	Mechanical	300m/s²(approx. 30G) in each of X, Y, Z directions for 3 times	
	Malfunction	100m/s²(approx. 10G) in each of X, Y, Z directions for 3 times	
Protection	IP66(Front panel only)		
Environ-ment	Ambient temperature	-10 to 50°C, storage : -25 to 65°C	
	Ambient humidity	35 to 85%RH, storage : 35 to 85%RH	
Unit weight	Approx. 58g		

※Environment resistance is rated at no freezing or condensation.

- (A) Photo electric sensor
- (B) Fiber optic sensor
- (C) Door/Area sensor
- (D) Proximity sensor
- (E) Pressure sensor
- (F) Rotary encoder
- (G) Connector/Socket
- (H) Temp. controller
- (I) SSR/ Power controller
- (J) Counter
- (K) Timer
- (L) Panel meter
- (M) Tacho/ Speed/ Pulse meter
- (N) Display unit
- (O) Sensor controller
- (P) Switching mode power supply
- (Q) Stepper motor& Driver&Controller
- (R) Graphic/ Logic panel
- (S) Field network device
- (T) Software
- (U) Other

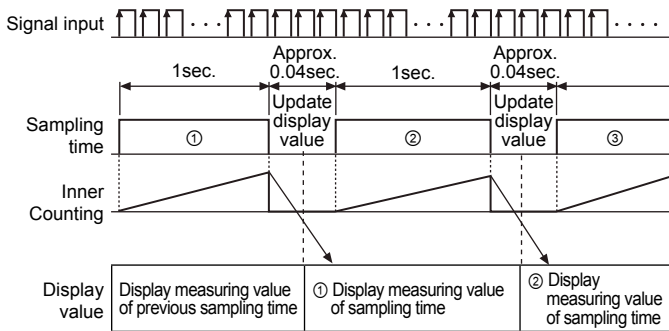
■ Connections



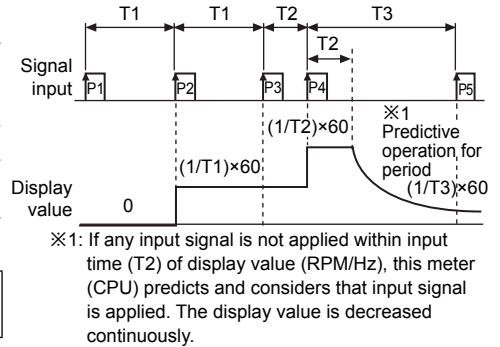
- ※Please use reliable contacts enough to flow 5μA of current when using input signal or reset signal as a contact.
- ※IN1 - No-voltage input
- IN2 - Voltage input
 - DC voltage input
 - AC voltage input : Display AC frequency.
- IN3 - AC voltage input : Display AC frequency.
- ※Choose one among IN1, IN2 and IN3 to use.
- ※Caution for IN3 input
 - : If apply high voltage over 50VAC, it may cause an electric shock. Insulated transformer whose turn ratio is 1:1 must be installed, or countermeasures must be provided.

■ Operation chart

● Setting RPS, Hz

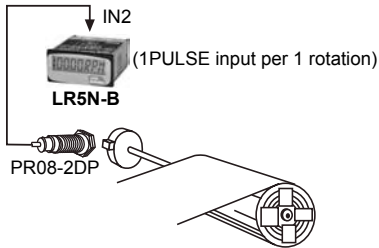


● Setting RPM 0.1, RPM 0.1Hz

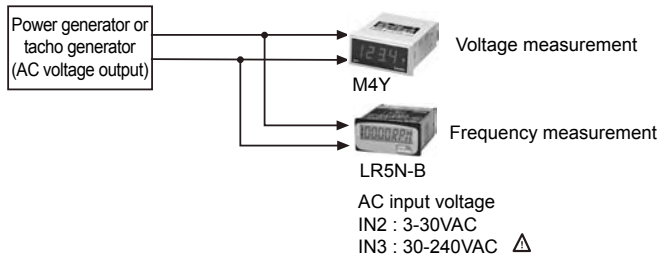


■ Operation mode (Frequency/Revolution)

● Revolution



● AC frequency



● Display and unit

Display	Frequency		Revolution		
Unit	Hz	0.1Hz	RPM	0.1RPM	RPS

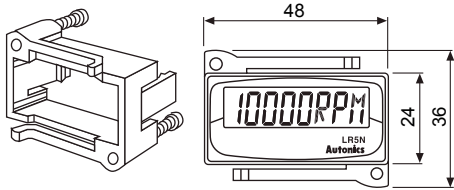
※Default unit : RPS

Compact LCD Pulse Meter

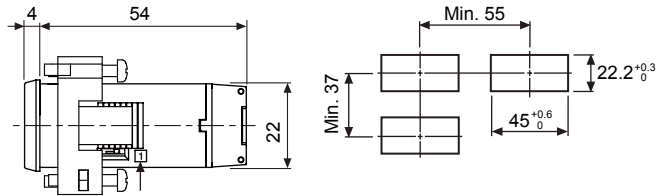
■ Dimensions

(unit: mm)

● Bracket



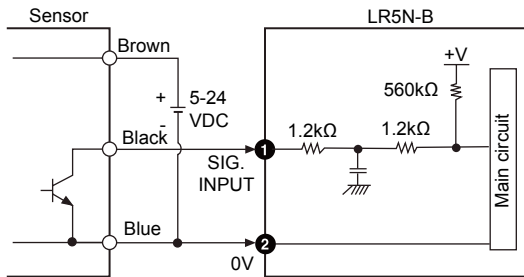
● Panel cut-out



SW1 (SW2 is in the opposite side.)

■ Input connections

● Standard input sensor : NPN open collector output type



■ Function description

● RESET

It initializes a unit and front LCD display. There are not indicated when set switch1 as RESET.

● HOLD

It stops display value by short circuit HOLD terminal when it is hard to read the value because of frequent input changes.

■ Display range selection

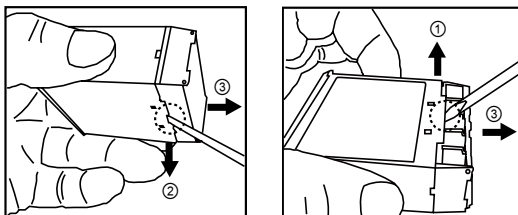
SW 1		SW 2		RPM	0.1RPM	Hz	0.1Hz	RPS	
Front panel		Front panel							
RPM/RPS	1	2	1	1	2	1	2	1	2
RESET	1	2	1	1	2	1	2	1	2
Hz	1	2	1	1	2	1	2	1	2
Terminal block		Terminal block							
	×1	×0.1						RPS	

● Display range selection

- ① Select one among ×1, ×0.1 and RPS by SW2.
 - ② Shift SW1 to RESET.
 - ③ Select one between RPM/RPS and Hz by SW1.
- ※If set display range and front display LCD unit are not same, shift SW1 to RESET and select RPM/RPS or Hz.

■ Case detachment and battery replacement

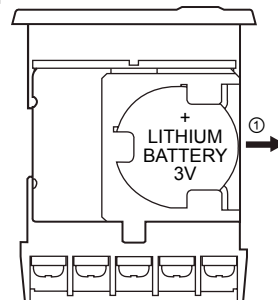
● Case detachment



※Hold up Lock part toward ①, ② of the product with the tool and pull toward ③, the case is detached.

⚠ Please be careful of the injury caused by tools.

● Battery replacement



- 1) Detach the case.
- 2) Push the battery and detach toward ①.
- 3) Insert new battery with correct alignment of polarity pushing toward opposite of ①.

※Battery is sold separately.

※Do not burn up or disassemble the lithium battery.

(A)	Photo electric sensor
(B)	Fiber optic sensor
(C)	Door/Area sensor
(D)	Proximity sensor
(E)	Pressure sensor
(F)	Rotary encoder
(G)	Connector/Socket
(H)	Temp. controller
(I)	SSR/ Power controller
(J)	Counter
(K)	Timer
(L)	Panel meter
(M)	Tacho/ Speed/ Pulse meter
(N)	Display unit
(O)	Sensor controller
(P)	Switching mode power supply
(Q)	Stepper motor& Driver&Controller
(R)	Graphic/ Logic panel
(S)	Field network device
(T)	Software
(U)	Other